

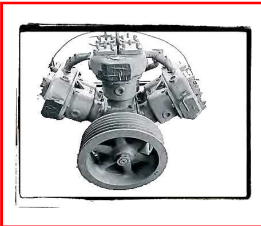
BA
COMPONENTS

V. 2.1



Nel 1973 Binda Aldo iniziava la sua attività come venditore ed installatore di impianti aria compressa. Negli anni successivi si è iniziato a diversificare la politica aziendale, inserendo prodotti relativi alla automazione pneumatica, all'auto attrezzatura e molto altro ancora. Oggi, a distanza di molti anni, la BINDA ALDO è diventata una pura azienda commerciale, trasformando la propria ragione sociale in BINDA ALDO COMPONENTS, distribuendo in esclusiva diversi brand esteri sul mercato Italiano, iniziando importanti collaborazioni con aziende di spicco, sia nel panorama nazionale che estero, per quanto riguarda accessori e componenti per aria compressa. Una rete commerciale capillare e ben inserita, prodotti qualitativamente validi, un magazzino in continua evoluzione ed una sempre costante ricerca di accessori tecnici innovativi, ci permette di offrire una gamma sempre più completa di componenti .

1973



In 1973 Binda Aldo began his activity as air compressed system seller and installer. In the following years the company did diversify the products lines, including components related to pneumatic automation, equipment and much more. Today, after many years, BINDA ALDO is a pure commercial company, transforming its company name into BINDA ALDO COMPONENTS, exclusive distributor of several Worldwide brands on the Italian market, starting important collaborations with leading companies both in the national and international market, especially for accessories and components for air compressed systems. Thanks to the established sales network, the quality of the products, the warehouse capability and the continue research for innovative technical goods, we can offer to the market a complete range of components.

2000



2018



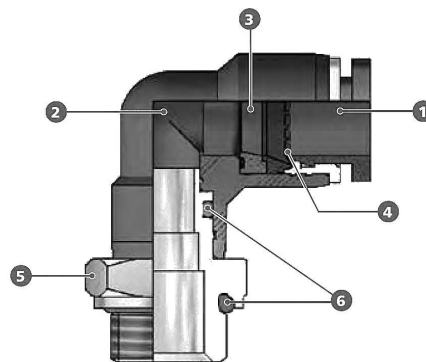
**LE NOSTRE ESCLUSIVE
OUR EXCLUSIVE**



- **Raccordi rapidi in tecnopolimero**
- **Plastic push-in fittings**

1	2	3	4	5	6
anello estrattore release ring	corpo body	anello di tenuta tightness ring	pinza agraffaggio gripping collet	corpo body	guarnizioni O-RING O-RING seals
DELRIN	PBT	NBR	ACCIAIO SVS301 SVS301 STAINLESS STEEL	OTTONE NICHELATO BRASS NICKEL PLATED	NBR SENZA SILICONE NBR SILICON FREE

Tubi di collegamento consigliati Recommended tubings	Tolleranze accettabili su tubi Acceptable tolerances on the tubings	Temperatura di esercizio Working temperature	Pressione di esercizio Working pressure	Tenuta al vuoto Vacuum	Campi di applicazione Application fields
PA 11, PA12, PA6, Polietilene PE, Poliuretano PU (98 shore A)	+/- 0,07 mm fino a/to ø 10 mm	-20°C + 70°C	La pressione consigliata è in funzione del tipo di tubo impiegato e comunque non deve mai superare i 15 bar. Pressure varies depending on the kind of tubing used in any case it never has to exceed 18 bar.	fino a/up to 750 mmHg.	impianti pneumatici pneumatic circuits
PA 11, PA12, PA6, Poliethylene PE, Polyurethane PU (98 shore A)	+/- 0,1 mm fino da/from ø 12 mm a/to ø 14 mm				



I raccordi ad innesto rapido della serie Plastica consentono di realizzare rapidi collegamenti di tubazioni in materiale plastico manualmente e senza l'ausilio di utensili in qualsiasi punto di un impianto pneumatico. Il collegamento e la tenuta pneumatica sono garantiti dall'accoppiamento interno di una rondella elastica d'aggraffaggio in acciaio inox e di un'O-Ring. Per il collegamento basta inserire il tubo fino a battuta nel raccordo. L'estrazione del tubo avviene tramite la semplice pressione dell'anello estrattore. Tutti i raccordi della serie Plastica vengono sottoposti a trattamento superficiale di Nichelatura.

Plastic series quick-disconnect couplings are designed for connecting plastic pipes by hand quickly and without the aid of tools at any point in a pneumatic system. Secure connection and a pressure-tight seal are ensured by the internal coupling of a stainless steel gripping collet and an O-ring. To connect, simply push the pipe into the coupling as far as it will go. Disconnecting the pipe is easy: just press the release ring. All Plastic series fittings are treated with a nickel surface coating.



PCG Diritto Maschio Cilindrico con OR
Male straight BSPP OR



Cod.	Misura/Size	EURO €
PCG4M5	4 M5	
PCG41/8	4 1/8"	
PCG41/4	4 1/4"	
PCG6M5	6 M5	
PCG61/8	6 1/8"	
PCG61/4	6 1/4"	
PCG81/8	8 1/8"	
PCG81/4	8 1/4"	
PCG83/8	8 3/8"	
PCG101/8	10 1/8"	
PCG101/4	10 1/4"	
PCG101/2	10 1/2"	
PCG121/4	12 1/4"	
PCG123/8	12 3/8"	
PCG121/2	12 1/2"	
PCG141/2	14 1/2"	
PCG151/2	15 1/2"	
PCG161/2	16 1/2"	

PLG Gomito Maschio Cilindrico Girevole OR
Male elbow (rotating body) BSPP OR



Cod.	Misura/Size	EURO €
PLG4M5	4 M5	
PLG41/8	4 1/8"	
PLG41/4	4 1/4"	
PLG6M5	6 M5	
PLG61/8	6 1/8"	
PLG61/4	6 1/4"	
PLG81/8	8 1/8"	
PLG81/4	8 1/4"	
PLG101/8	10 1/8"	
PLG101/4	10 1/4"	
PLG103/8	10 3/8"	
PLG101/2	10 1/2"	
PLG121/4	12 1/4"	
PLG121/2	12 1/2"	
PLG141/2	14 1/2"	
PLG151/2	15 1/2"	
PLG161/2	16 1/2"	

PC Diritto Maschio Conico
Male conical straight joint



Cod.	Misura/Size	EURO €
PC41/8	4 1/8"	
PC41/4	4 1/4"	
PC61/8	6 1/8"	
PC61/4	6 1/4"	
PC81/8	8 1/8"	
PC81/4	8 1/4"	
PC83/8	8 3/8"	
PC101/8	10 1/8"	
PC101/4	10 1/4"	
PC101/2	10 1/2"	
PC121/4	12 1/4"	
PC123/8	12 3/8"	
PC121/2	12 1/2"	
PC141/2	14 1/2"	
PC151/2	15 1/2"	
PC161/2	16 1/2"	

PL Gomito Maschio Conico Girevole
Male elbow (rotating body) conical



Cod.	Misura/Size	EURO €
PL41/8	4 1/8"	
PL41/4	4 1/4"	
PL61/8	6 1/8"	
PL61/4	6 1/4"	
PL81/8	8 1/8"	
PL81/4	8 1/4"	
PL101/8	10 1/8"	
PL101/4	10 1/4"	
PL103/8	10 3/8"	
PL101/2	10 1/2"	
PL121/4	12 1/4"	
PL121/2	12 1/2"	
PL141/2	14 1/2"	
PL151/2	15 1/2"	
PL161/2	16 1/2"	

PLGF Gomito Femmina Girevole
Female elbow (rotating body)



Cod.	Misura/Size	EURO €
PLGF41/8	4 1/8"	
PLGF61/8	6 1/8"	
PLGF61/4	6 1/4"	
PLGF81/8	8 1/8"	
PLGF81/4	8 1/4"	
PLGF101/4	10 1/4"	
PLGF123/8	12 3/8"	

PCF Diritto Femmina
Straight female



Cod.	Misura/Size	EURO €
PCF41/8	4 1/8"	
PCF61/8	6 1/8"	
PCF61/4	6 1/4"	
PCF81/8	8 1/8"	
PCF81/4	8 1/4"	
PCF101/4	10 1/4"	
PCF121/2	12 1/2"	

PUC**Diritto Intermedio**
Intermediate straight

Cod.	Misura/Size	EURO €
PUC04	04	
PUC06	06	
PUC08	08	
PUC10	10	
PUC12	12	
PUC14	14	
PUC15	15	
PUC16	16	
PUC0604	06 - 04	
PUC0804	08 - 04	
PUC0806	08 - 06	
PUC1006	10 - 06	
PUC1008	10 - 08	
PUC1208	12 - 08	
PUC1210	12 - 10	

PY**Y Innestabile**
Y Connector

Cod.	Misura/Size	EURO €
PY04	04	
PY06	06	
PY08	08	
PY10	10	
PY12	12	
PY16	16	
PY0604	06 - 04	
PY0806	08 - 06	
PY1008	10 - 08	
PY1208	12 - 08	
PY1210	12 - 10	

PST**T Laterale Girevole Conico**
Lateral T male

Cod.	Misura/Size	EURO €
PST41/8	4 1/8"	
PST61/8	6 1/8"	
PST61/4	6 1/4"	
PST81/8	8 1/8"	
PST81/4	8 1/4"	
PST101/8	10 1/8"	
PST101/4	10 1/4"	
PST101/2	10 1/2"	
PST121/4	12 1/4"	
PST121/2	12 1/2"	

PUL**Gomito Intermedio**
Intermediate elbow

Cod.	Misura/Size	EURO €
PUL04	04	
PUL06	06	
PUL08	08	
PUL10	10	
PUL12	12	
PUL14	14	
PUL15	15	
PUL16	16	

PUT**T Intermedio**
Intermediate T

Cod.	Misura/Size	EURO €
PUT04	04	
PUT06	06	
PUT08	08	
PUT10	10	
PUT12	12	
PUT14	14	
PUT15	15	
PUT16	16	
PUT0604	6 - 4	
PUT0804	8 - 4	
PUT0806	8 - 6	
PUT1008	10 - 8	
PUT1208	12 - 8	
PUT1210	12 - 10	

PZA**Croce Intermedio**
Intermediate Cross

Cod.	Misura/Size	EURO €
PZA04	4	
PZA06	6	
PZA08	8	
PZA10	10	
PZA12	12	

PSTG**T Laterale Girevole Cilindrico OR**
Lateral T male OR

Cod.	Misura Size	EURO €
PSTG4M5	4 M5	
PSTG41/8	4 1/8"	
PSTG6M5	6 M5	
PSTG61/8	6 1/8"	
PSTG61/4	6 1/4"	
PSTG81/8	8 1/8"	
PSTG81/4	8 1/4"	
PSTG101/8	10 1/8"	
PSTG101/4	10 1/4"	
PSTG101/2	10 1/2"	
PSTG121/2	12 1/2"	

PWT**Y Maschio Girevole Conico**
Y male rotating body

Cod.	Misura/Size	EURO €
PWT41/8	4 1/8"	
PWT61/8	6 1/8"	
PWT61/4	6 1/4"	
PWT81/8	8 1/8"	
PWT81/4	8 1/4"	
PWT101/4	10 1/4"	
PWT103/8	10 3/8"	
PWT101/2	10 1/2"	
PWT121/2	12 1/2"	

PWTG**Y Maschio Girevole Conico OR**
Y male rotating body OR

Cod.	Misura/Size	EURO €
PWTG4M5	4 M5	
PWTG41/8	4 1/8"	
PWTG41/4	4 1/4"	
PWTG6M5	6 M5	
PWTG61/8	6 1/8"	
PWTG61/4	6 1/4"	
PWTG81/8	8 1/8"	
PWTG81/4	8 1/4"	
PWTG101/8	10 1/8"	
PWTG101/4	10 1/4"	
PWTG103/8	10 3/8"	
PWTG101/2	10 1/2"	
PWTG123/8	12 3/8"	
PWTG121/2	12 1/2"	

PH**Gomito a Banjo Maschio Girevole Conico**
Swivel male Banjo elbow BSPT

Cod.	Misura/Size	EURO €
PH41/8	4 1/8"	
PH41/4	4 1/4"	
PH61/8	6 1/8"	
PH61/4	6 1/4"	
PH81/8	8 1/8"	
PH81/8	8 1/4"	
PH101/8	10 1/8"	
PH101/4	10 1/4"	
PH121/2	12 1/2"	

PTG**T al Centro Maschio Girevole Cilindrico OR**
Central T male rotating body OR

Cod.	Misura/Size	EURO €
PTG4M5	4 M5	
PTG41/8	4 1/8"	
PTG41/4	4 1/4"	
PTG6M5	6 M5	
PTG61/8	6 1/8"	
PTG61/4	6 1/4"	
PTG81/8	8 1/8"	
PTG81/4	8 1/4"	
PTG83/8	8 3/8"	
PTG101/8	10 1/8"	
PTG101/4	10 1/4"	
PTG101/2	10 1/2"	
PTG121/4	12 1/4"	
PTG121/2	12 1/2"	
PTG141/2	14 1/2"	
PTG161/2	16 1/2"	

PT**T al Centro Maschio Girevole Cilindrico**
Central T male rotating body

Cod.	Misura/Size	EURO €
PTG41/8	4 1/8"	
PTG41/4	4 1/4"	
PTG61/8	6 1/8"	
PTG61/4	6 1/4"	
PTG81/8	8 1/8"	
PTG81/4	8 1/4"	
PTG83/8	8 3/8"	
PTG101/8	10 1/8"	
PTG101/4	10 1/4"	
PTG101/2	10 1/2"	
PTG121/4	12 1/4"	
PTG121/2	12 1/2"	
PTG14-3/8	14 3/8"	
PTG16-1/2	16 1/2"	

PHG**Gomito a Banjo Maschio Girevole OR**
Swivel male Banjo elbow OR

Cod.	Misura Size	EURO €
PHG4M5	4 M5	
PHG41/8	4 1/8"	
PHG6M5	6 M5	
PHG61/8	6 1/8"	
PHG61/4	6 1/4"	
PHG81/8	8 1/8"	
PHG81/4	8 1/4"	
PHG101/4	10 1/4"	
PHG121/2	12 1/2"	

PLLG

Gomito Prolungato Girevole Cilindrico BSPP OR
 Long swivel male Elbow rotating body BSPP OR

Cod.	Misura/Size	EURO €
PLLG4M5	4 M5	
PLLG41/8	4 1/8"	
PLLG41/4	4 1/4"	
PLLG6M5	6 M5	
PLLG61/8	6 1/8 "	
PLLG61/4	6 1/4"	
PLLG81/8	8 1/8"	
PLLG81/4	8 1/4"	
PLLG83/8	8 3/8"	
PLLG101/8	10 1/8"	
PLLG101/4	10 1/4"	
PLLG101/2	10 1/2"	
PLLG121/4	12 1/4"	
PLLG121/2	12 1/2"	

PLL

Gomito Prolungato Girevole Conico BSPT
 Long swivel male Elbow rotating body BSPT

Cod.	Misura/Size	EURO €
PLL41/8	4 1/8"	
PLL41/4	4 1/4"	
PLL61/8	6 1/8 "	
PLL61/4	6 1/4"	
PLL81/8	8 1/8"	
PLL81/4	8 1/4"	
PLL83/8	8 3/8"	
PLL101/8	10 1/8"	
PLL101/4	10 1/4"	
PLL101/2	10 1/2"	
PLL121/4	12 1/4"	
PLL121/2	12 1/2"	



Compact One-Touch Fittings



Su richiesta disponibili altre tipologie di raccordi



BINDA ALDO COMPONENTS SRLS

V.le Martiri della libertà , 43 • 27058 VOGHERA (PV)

Tel. 0383 191253 • Fax 0383 1970180

Mail: info@gruppobinda.com

P.I. - C.F. 02816510180



WELCOME TO A NEW DIMENSION

www.gruppobinda.com